



MOUNTING INSTRUCTIONS

2320-0030 SPORTSHIELD DETACHABLE MOUNTING KIT 06-07 DYNA's FXDI, FXDCI, FXDBI, FXDI35, FXDC, FXDLI

⚠ WARNING

Read and follow these directions carefully. During installation, make sure that the windshield and hardware do not interfere with any cables or wiring when the forks are turned all the way in either direction. Also make sure, through the full range of adjustment, that the windshield and hardware do not hit the tank.

This is a detachable windshield, **ALWAYS** make sure the Locking Mechanism is Fully Engaged after installing the windshield!

The improper installation of this kit and related components could result in serious injury or death.

No additional tools required for this kit.

1. Cover gas tank and front fender with a towel to avoid damage during installation.
2. Install the windshield mounting plates onto the windshield, using the bolts that are pre-assembled on the mounting plates. The Santoprene grommets should be inserted through the holes in the windshield so that the flat round part of the grommet lies flat on each side of the plastic. **Tab**s point in towards the headlight. (see figure 1)
3. Loosely install the four Fork Clamps on the forks, approximately 2" apart. (see figure 2)
4. Start with Fork Clamp Bushing adjusted to rear of slot (see figure 4) Then adjust as needed and check for clearance. (See warning above.)
5. Slip the windshield mounting plates and windshield onto the fork clamps, (see figure 3 and 5) and secure the left and right side locking mechanism
6. Adjust the height, angle and alignment of the windshield and tighten **ALL** bolts.

Note: This is a detachable windshield, **ALWAYS** make sure the Locking Mechanism is Fully Engaged after installing the windshield! (see figure 5)

CAUTION

IMPORTANT CARE AND CLEANING INSTRUCTIONS

Memphis Shades Windshields and Lowers are made of Lucite® acrylic, and will last for years with proper care. Clean your windshield with plenty of soapy water — mild dishwashing liquid is best — and a soft cotton cloth. Use your bare hand to feel and dislodge bugs, or cover with a wet soapy towel and let it soak. Don't use paper towels and don't scrape with anything. Small scratches can be removed with NOVUS # 2.

NEVER use any glass cleaning products, petroleum based chemicals, or cleaning agents with ammonia, bleach or any other harsh chemicals. This includes (but not limited to) RainX, brake fluid, acetone, paint thinner, benzene and gasoline. "If it hurts your nose, it will hurt the plastic."

Glass cleansing agents will cause severe damage to your windshield, and will void your warranty.

NOTE: At certain times of the day the Sunlight can reflect off the curvature of a windshield and cause extreme heat build-up on motorcycle instruments and instrument panel. Take care when parking. Park facing the sun, place an opaque object over the instruments or adjust the windshield to avoid reflections.

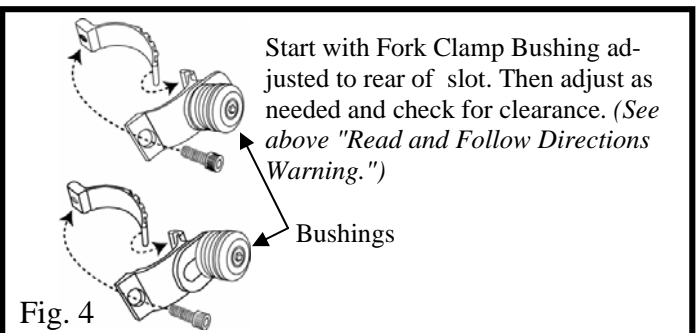
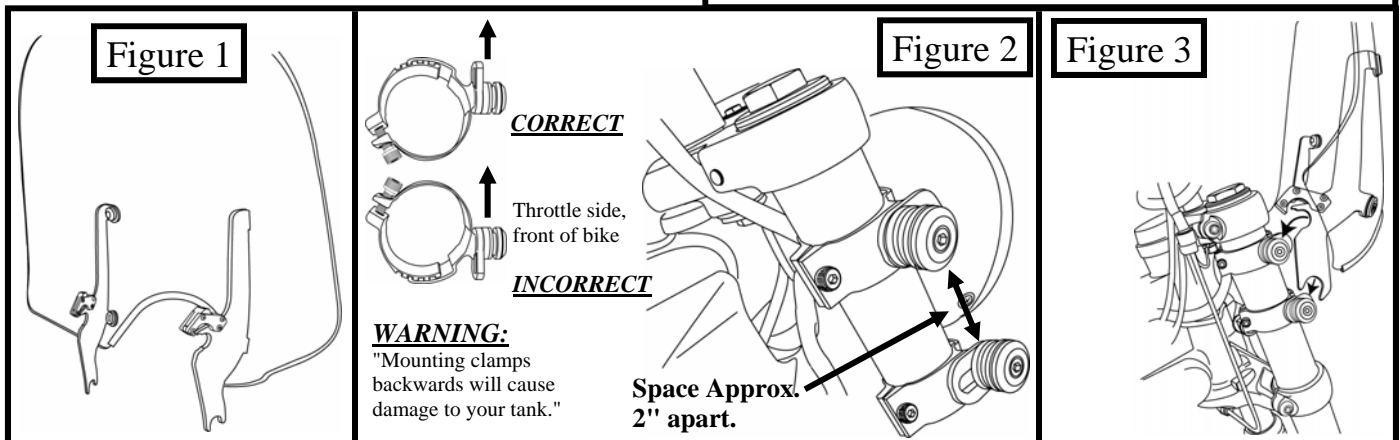


Fig. 4



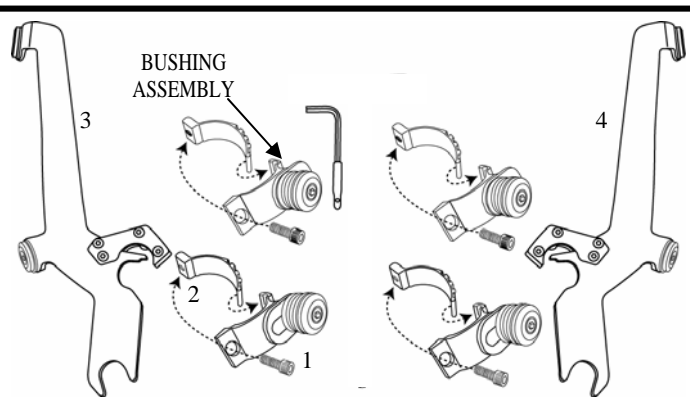
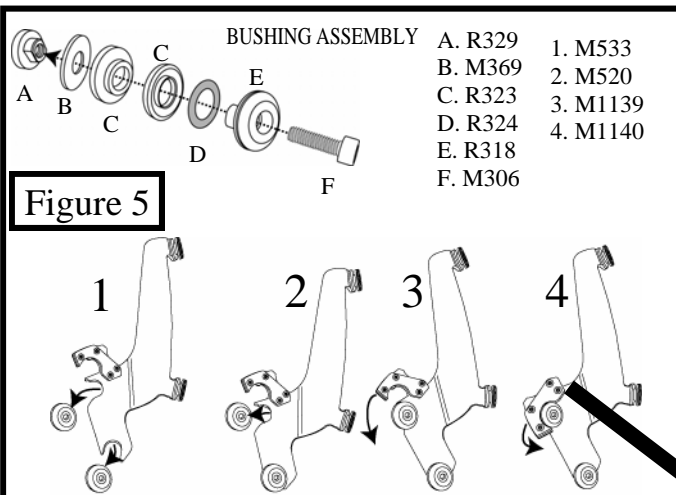


MOUNTING INSTRUCTIONS

2320-0030 SORTSHIELD DETACHABLE MOUNTING KIT 06-07 DYNA's FXDI, FXDCI, FXDBI, FXDI35, FXDC, FXDLI

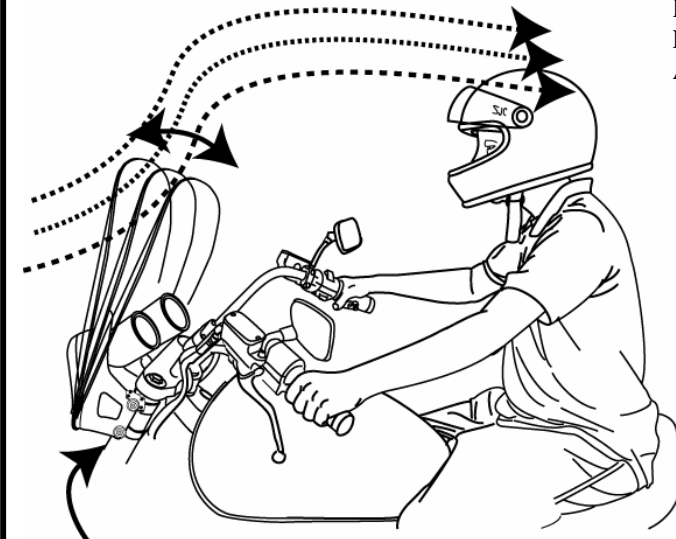
PART #	DESCRIPTION	QTY.
M8928	MOUNTING INSTRUCTIONS	1
M1139	LEFT SPORTSHIELD MOUNTING PLATE	1
M1140	RIGHT SPORTSHIELD MOUNTING PLATE	1
M520	INNER ADJUSTABLE FORK CLAMP	4
M533	MEDIUM OUTER DETACHABLE ADJ. FORK CLAMP	4
M303	1/4"-20 x 3/4" SS SOCKET HEAD CAP SCREW	4
M504	SOCKET SHOULDER WASHER	4
M505	BUTTON NUT	4
M543	SANTOPRENE GROMMET	4
M302	1/4"-20 x 1/2" SS SOCKET HEAD CAP SCREW	4
M369	STAINLESS STEEL WASHER	4

PART #	DESCRIPTION	QTY.
M306	1/4"-20 x 5/8" SS SOCKET HEAD CAP SCREW	4
R329	SLOT NUT	4
R323	BUSHING ASSEMBLY (2 PART)	4
R318	1" SOCKET SHOULDER WASHER	4
R324	#207 EPDM O-RING	4
R322 C/T	LATCH ASSEMBLY	2
M313	3/16" ALLEN WRENCH COVER	1
M310	3/16" SHORT ARM ALLEN WRENCH	1

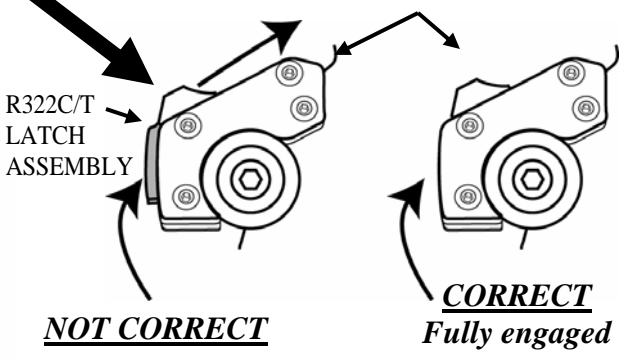


2320-0030 SPORTSHIELD KIT

1. Place lower slot into lower bushing. 2. Rotate top slot into place. 3. & 4. Secure locking Mechanism.



Loosen Allen Bolt to adjust angle, then re-tighten Allen Bolt.



Memphis Shades warrants all product components, metal and plastic, against defects in materials and workmanship for 24 months.

FOR PARTS AND WARRANTY HELP, CONTACT:

MEMPHIS SHADES
P. O. Box 429
Rossville, TN 38066
(901) 853-0293

Visit us on the web at www.memphisshades.com or
You can also reach us at
customerservice@memphisshades.com