



MOUNTING INSTRUCTIONS

2320-0007 HD DYNA FXDBI, FXDLI, FXDI35 SPORTSHIELD MOUNTING KIT - 06

! WARNING

Read and follow these directions carefully. During installation, make certain that when turning the forks, there can be no interference with wiring or cables **AND**, that the windshield can not hit the gas tank, through the windshield's full range of adjustment.

This is a quick change kit, **ALWAYS** tighten all mounting bolts after removing or installing the windshield!

The improper installation of this kit and related components could result in serious injury or death.

CAUTION

REMEMBER: This is a quick change kit. **ALWAYS** tighten all mounting bolts after removing or installing the windshield!

IMPORTANT CARE AND CLEANING INSTRUCTIONS

Memphis Shades Windshields and Lowers are made of Lucite® acrylic, and will last for years with proper care. Clean your windshield with plenty of soapy water — mild dishwashing liquid is best — and a soft cotton cloth. Use your bare hand to feel and dislodge bugs, or cover with a wet soapy towel and let it soak. Don't use paper towels and don't scrape with anything. Small scratches can be removed with NOVUS # 2.

NEVER use any glass cleaning products, petroleum based chemicals, or cleaning agents with ammonia, bleach or any other harsh chemicals. This includes (but not limited to) RainX, brake fluid, acetone, paint thinner, benzene and gasoline. "If it hurts your nose, it will hurt the plastic."

Glass cleansing agents will cause severe damage to your windshield, and will void your warranty.

No additional tools required for this kit.

1. Cover gas tank and front fender with a towel to avoid damage during installation.

2. Install the windshield mounting plates onto the windshield, using the bolts that are pre-assembled on the mounting plates. The Santoprene grommets should be inserted through the holes in the windshield so that the flat round part of the grommet lies flat on each side of the plastic. The tabs point in towards the headlight when installed correctly. (see figure 1 and 4)

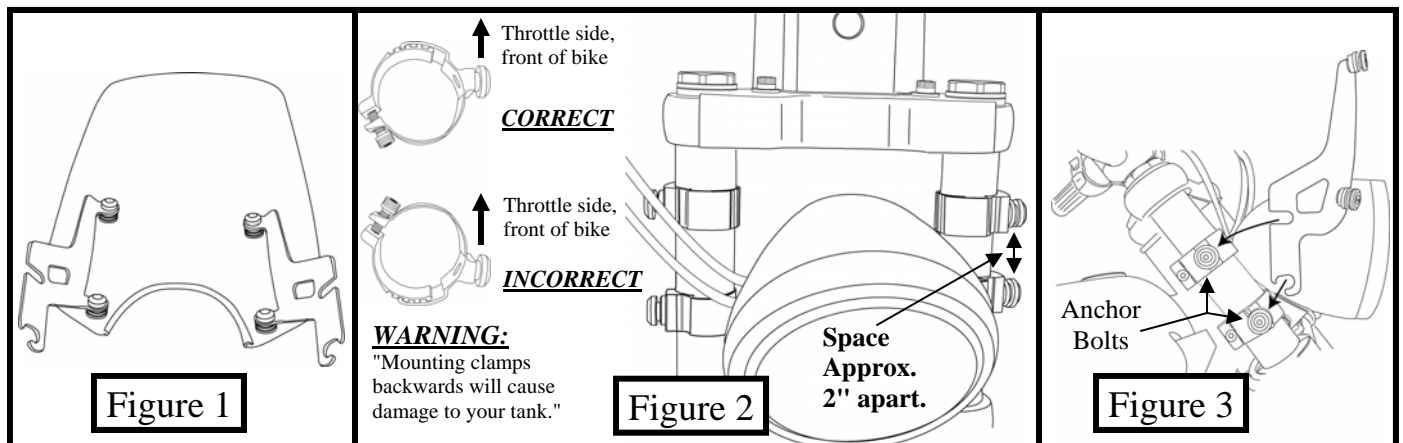
3. Loosely install the four Fork Clamps on the forks, approximately 2" apart. (see figure 2)

4. Loosen the four anchor bolts that are to hold the windshield to the Fork Clamps, and slip the windshield mounting plates and windshield onto the fork clamps. (see figure 3)

5. Adjust the height, angle and alignment of the windshield and tighten **ALL** bolts.

Note: The Tabs point in towards the headlight when installed correctly. (see figure 4 page 2)

NOTE: At certain times of the day the Sunlight can reflect off the curvature of a windshield and cause extreme heat build-up on motorcycle instruments and instrument panel. Take care when parking. Park facing the sun, place an opaque object over the instruments or adjust the windshield to avoid reflections.



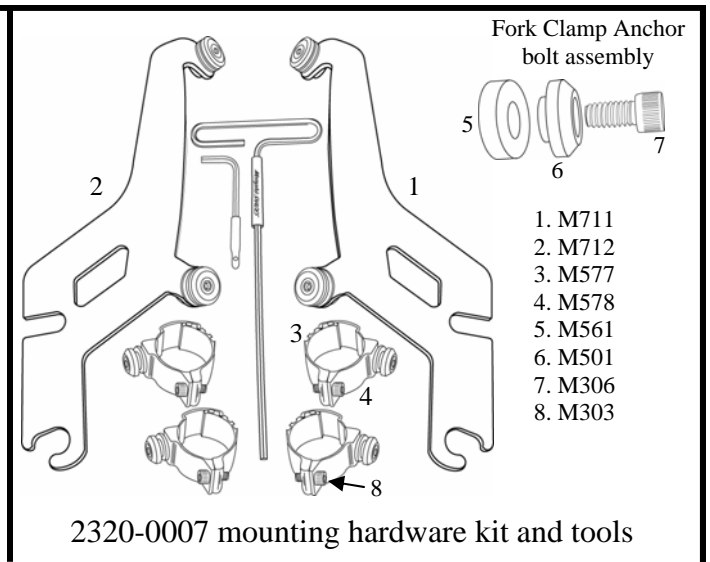
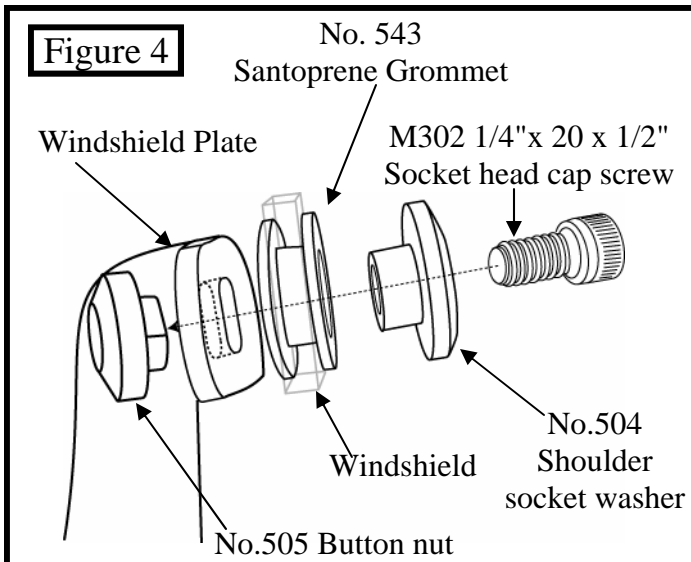


MOUNTING INSTRUCTIONS

2320-0007 HD DYNA FXDBI, FXDLI, FXDI35 SPORTSHIELD MOUNTING KIT - 06

PART #	DESCRIPTION	QTY.
M8913	MOUNTING INSTRUCTIONS	1
M302	1/4" - 20 X 1/2" SOCKET HEAD CAP SCREW	4
M561	1/4" X 3/4" BEVELED SPACER WASHER	4
M306	1/4" - 20 X 5/8" SOCKET HEAD CAP SCREW	4
M303	1/4" - 20 X 3/4" SOCKET HEAD CAP SCREW	4
M577	MEDIUM INNER ADJUSTABLE FORK CLAMP HALF	4
M578	MEDIUM OUTER ADJUSTABLE FORK CLAMP HALF	4
M501	BEVELED SOCKET WASHER	4
M1095	WINDSHIELD MOUNT PLATE LEFT	1

PART #	DESCRIPTION	QTY.
M1096	WINDSHIELD MOUNT PLATE RIGHT	1
M310	3/16" SHORT ARM ALLEN WRENCH	1
M313	3/16" ALLEN WRENCH COVER	1
M314	3/16" T-HANDLE ALLEN WRENCH	1
M337	3/16" T-HANDLE ALLEN WRENCH COVER	1
M504	SOCKET SHOULDER WASHER	4
M543	SANTOPRENE GROMMET	4
M505	BUTTON NUT	4



Memphis Shades warrants all product components, metal and plastic, against defects in materials and workmanship for 24 months.

FOR PARTS AND WARRANTY HELP, CONTACT:

MEMPHIS SHADES
P. O. Box 429
Rossville, TN 38066
(901) 853-0293

Visit us on the web at www.memphisshades.com or
you can also reach us at
customerservice@memphisshades.com