



Part No. 2321-0088

M8983 012309

Mounting kit, Turn signal relocation.  
HD Covered forks, with light bar  
Use with existing 2320-0021 Mounting Kit.

Moves turn signals from behind Memphis  
Bagger Fairing to lower triple tree.

Before assembly, read Warnings inside



## WARNING

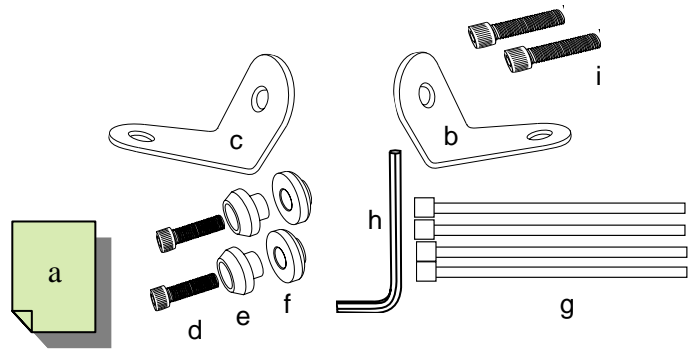
1. During installation, make sure that the fairing and hardware do not interfere with any cables or wiring when the forks are turned all the way in either direction. Also make sure , through the full range of adjustment, that the fairing and hardware do not hit the gas tank.
2. This is a detachable fairing, always make sure the locking mechanism is fully engaged after installing the fairing.
3. The improper installation of this kit and related components could result in serious injury or death.



## CAUTION

1. Memphis Shades fairings and windshields are made from Lucite® acrylic, and will last for years with proper care. Clean your fairing and windshield with plenty of soapy water (mild dishwashing liquid is best) and a soft cotton cloth. Use your bare hands to feel and dislodge bugs, or cover with a wet, soapy towel and let it soak. Don't use paper towels or scrape with anything. Small scratches can be removed with NOVUS #2.
2. Never use any glass cleaning products, petroleum based chemicals, or cleaning agents with ammonia, bleach or any other harsh chemicals. This includes (but not limited to) RainX, brake fluid, acetone, paint thinner, benzene and gasoline. "If it hurts your nose, it will hurt the plastic."
3. Glass cleansing agents will cause severe damage to your fairing, and will void your warranty.

## 1. Kit Contents



Ref	Part #	Description	Qty
(a)	M8983	Mounting Instructions	1
(b)	M1200	Right bracket	1
(c)	M1201	Left bracket	1
(d)	M332	5/16"-24 x 7/8" Socket Head Cap Screw	2
(e)	R577	7/8" Beveled Bushing Spacer	2
(f)	R567	Socket shoulder washer	2
(g)	WT100	Wire tie	4
(h)	R340	1/4" Short Arm Allen Wrench	1
(i)	R350	5/16"-24x1-3/8" Socket Head Cap Screw	2

Memphis Shades warrants all product components, metal and plastic, against defects in materials and workmanship for 24 months.

### For Parts and Warranty Help, Contact:

Memphis Shades, Inc.  
P.O. Box 429  
Rossville, TN 38066  
(901) 853 0293

Visit us on the web at [www.memphisshades.com](http://www.memphisshades.com) or you can also reach us by email:

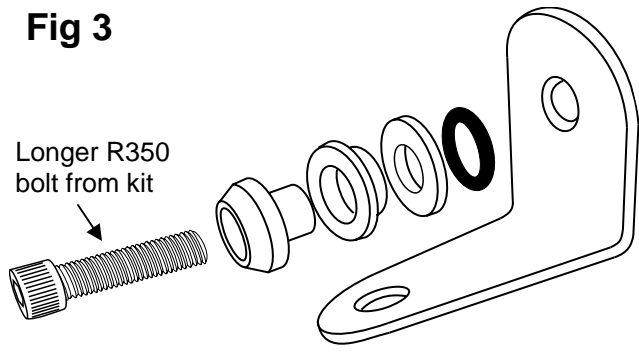
[customerservice@memphisshades.com](mailto:customerservice@memphisshades.com)

**Mounting kit, Turn signal relocation.  
HD Covered forks, with light bar  
Use with existing 2320-0021 Mounting Kit.**

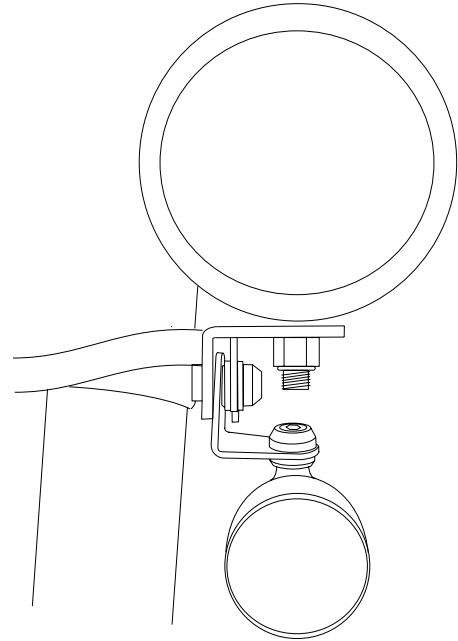
### 3. Mounting Instructions

1. Cover the gas tank and front fender with towels to avoid damage during installation.
2. Use the "Trigger-Lock" feature to remove the fairing or windshield from the bike. ( See Fig 1).
3. Remove the lower bolt assembly from the lower triple tree. (See Fig 1 and 2). Discard the bolt.
4. Using the new R350 bolt supplied with the kit, refit the lower bolt assembly, with the "L" bracket located between the rubber o-ring and the Light Bar. (See Fig-3 and 4)
5. Remove the turn signal lamp from it's original location.
6. Use the spacers and bolt supplied to secure the turn signal lamp to the "L" bracket. (See Fig-4)
7. Secure the turn signal wires using the wire ties provided.

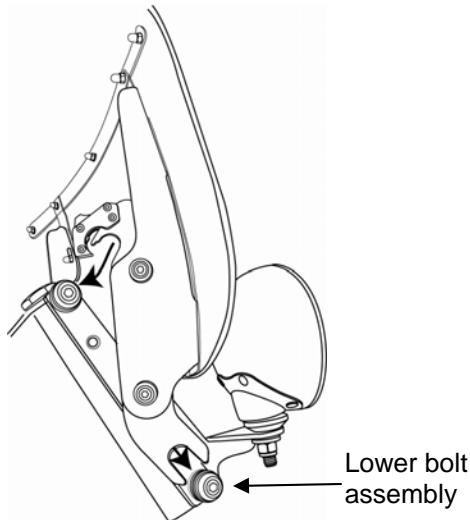
**Fig 3**



**Fig 4**



**Fig 1**



**Fig 2**

Discard the M334 bolt

