



# MOUNTING INSTRUCTIONS

## 2320-0019 Fats/Slims Detachable Mounting Kit for H-D Covered without Light Bar

### **! WARNING**

Read and follow these directions carefully.

During installation, make sure that the windshield and hardware do not interfere with any cables or wiring when the forks are turned all the way in either direction. Also make sure, through the full range of adjustment, that the windshield and hardware do not hit the tank.

This is a detachable windshield, ALWAYS make sure the Locking Mechanism is Fully Engaged after installing the windshield!

The improper installation of this kit and related components could result in serious injury or death.

Additional tools required, that are not included in this kit. 7/16" or 11mm wrench.

**1. Cover gas tank and front fender with towels to avoid damage during installation.**

2. Locate the upper and lower mounting bolts located on the sides of the front fork covers and remove them along with the Aluminum trim piece. Set the trim piece in a safe place. ***Note:** These bolts may be very tight. Take care not to strip the head of the bolts, you may also want to screw the original bolts in and out a few times to clean the threads.*

3. Re-install the Aluminum trim piece using the new bushing assemblies provided in this kit. The upper bolts uses the thicker spacer and the thinner spacer on the lower bolt. Repeat these steps on the other side. (see Figure 1)

4. Attach the windshield to the windshield mounting plates using the bottom and third bolt on each side. Leave the Nylon washers off. The Mounting tabs should be pointing in towards the headlight when installed correctly. (See Figure 2)

5. Slip the windshield mounting plates and windshield onto the upper and lower bushing assemblies, (see figure 3 and 5) and secure the left and right side locking mechanism.

6. Adjust the height, angle and alignment of the windshield and tighten *ALL* bolts.

**Note:** This is a detachable windshield, ALWAYS make sure the Locking Mechanism is Fully Engaged after installing the windshield! (see figure 5)

### **CAUTION**

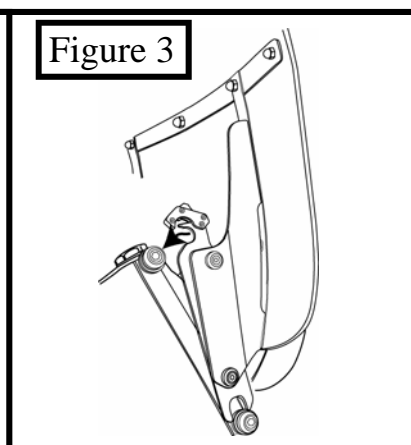
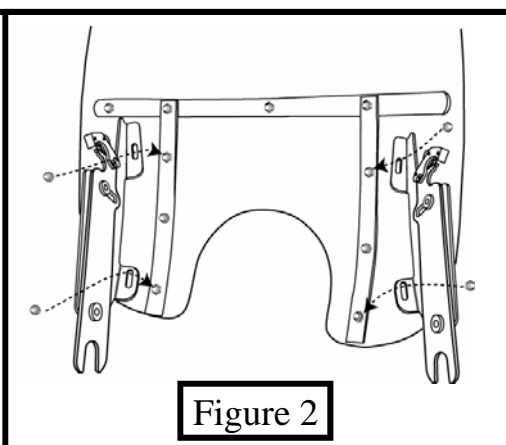
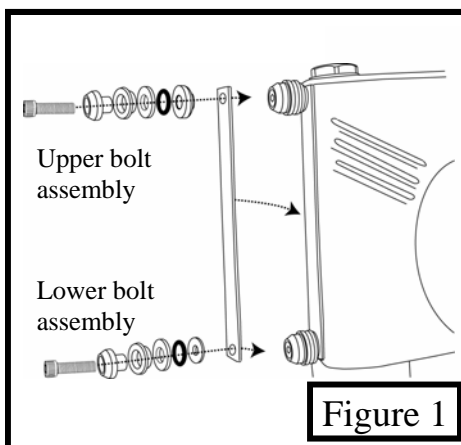
#### IMPORTANT CARE AND CLEANING INSTRUCTIONS

Memphis Shades Windshields and Lowers are made of Lucite® acrylic, and will last for years with proper care. Clean your windshield with plenty of soapy water — mild dishwashing liquid is best — and a soft cotton cloth. Use your bare hand to feel and dislodge bugs, or cover with a wet soapy towel and let it soak. Don't use paper towels and don't scrape with anything. Small scratches can be removed with NOVUS # 2.

NEVER use any glass cleaning products, petroleum based chemicals, or cleaning agents with ammonia, bleach or any other harsh chemicals. This includes (but not limited to) RainX, brake fluid, acetone, paint thinner, benzene and gasoline. "If it hurts your nose, it will hurt the plastic."

**Glass cleansing agents will cause severe damage to your windshield, and will void your warranty.**

NOTE: At certain times of the day the Sunlight can reflect off the curvature of a windshield and cause extreme heat build-up on motorcycle instruments and instrument panel. Take care when parking. Park facing the sun, place an opaque object over the instruments or adjust the windshield to avoid reflections.





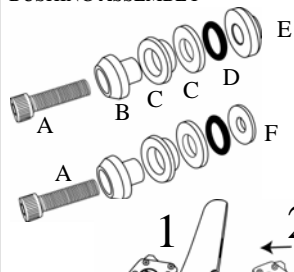
# MOUNTING INSTRUCTIONS

## 2320-0019 Fats/Slims Detachable Mounting Kit for H-D Covered without Light Bar

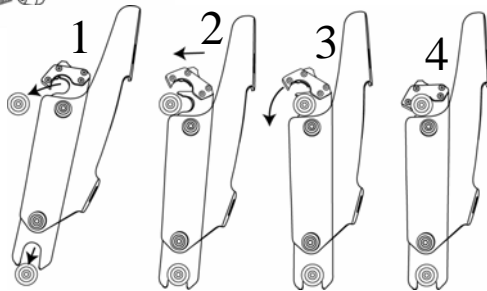
PART #	DESCRIPTION	QTY.
M8970	MOUNTING INSTRUCTIONS/PARTS LIST	1
M1145	LEFT MOUNTING PLATE FATS/SLIMS	1
M1146	RIGHT MOUNTING PLATE FATS/SLIMS	1
R323	BUSHING ASSEMBLY (2 PART)	4
R324	#207 EPDM O-RING	4
M334	5/16"-24 x 1 1/4" SS SOCKET HEAD CAP SCREW	4
M576	7/8" BEVELED SOCKET WASHER	4
R577	7/8" BEVELED BUSHING SPACER (Upper)	2
M569	7/8" SHOULDER SPACER (Lower)	2
M578	SELF ADHESIVE PLASTIC WASHER	4

PART #	DESCRIPTION	QTY.
R329	SLOT NUT	4
M501	3/4" BEVELED SOCKET WASHER	4
M301	1/4" - 20 X 3/8" SOCKET HEAD CAP SCREW	4
R322	LATCH ASSEMBLY	2
R326	LATCH SPRING	2
R334	LATCH SCREW	8
R340	1/4" SHORT ARM ALLEN WRENCH	1
M310	3/16" SHORT ARM ALLEN WRENCH	1
M313	3/16" ALLEN WRENCH COVER	1

### BUSHING ASSEMBLY

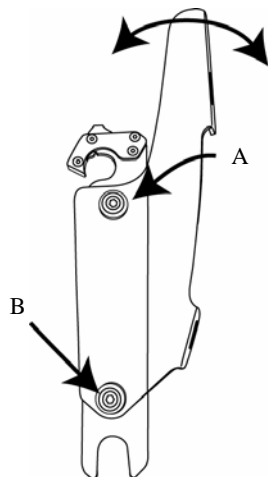


- A. M334
- B. M576
- C. R323
- D. R324
- E. R577
- F. M569

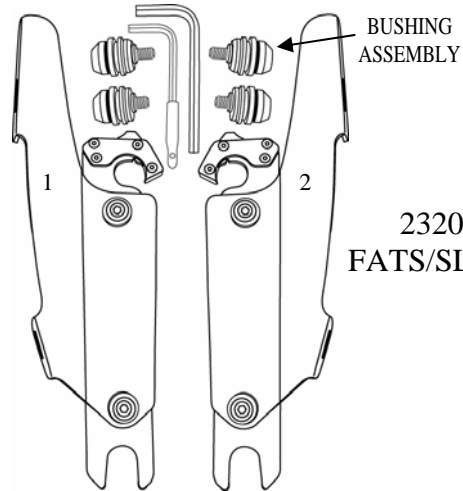


1. Place lower slot into lower bushing. 2. Rotate top slot into place. 3. & 4. Secure locking Mechanism.

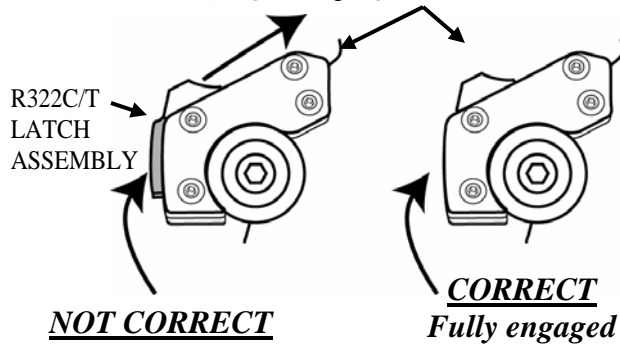
**Figure 5**



Loosen Allen Bolts A & B to adjust angle, then re-tighten Allen Bolts.



2320-0019  
FATS/SLIMS KIT



**NOT CORRECT**

**CORRECT**  
Fully engaged

Memphis Shades warrants all product components, metal and plastic, against defects in materials and workmanship for 24 months.

### FOR PARTS AND WARRANTY HELP, CONTACT:

MEMPHIS SHADES  
P. O. Box 429  
Rossville, TN 38066  
(901) 853-0293

Visit us on the web at [www.memphisshades.com](http://www.memphisshades.com) or  
You can also reach us at  
[customerservice@memphisshades.com](mailto:customerservice@memphisshades.com)