



Part No. 2320-0107

MEB1982

REVISION 0

Mounting Kit, Black
Bullet FX Fairing
HD VRSCDX Night Rod Special

Aluminum parts are electrocoated (E-coated)
for durability and weather resistance.

Before assembly, read Warnings inside



WARNING

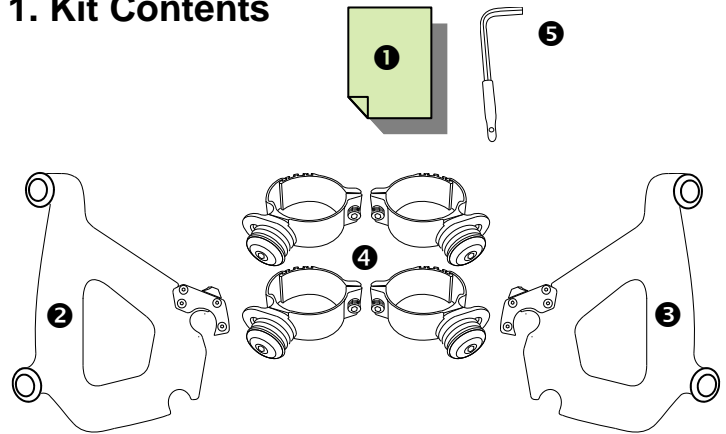
1. During installation, make sure that the fairing and hardware do not interfere with any cables or wiring when the forks are turned all the way in either direction. Also make sure, through the full range of adjustment, that the fairing and hardware do not hit the gas tank.
2. This is a detachable fairing, ALWAYS make sure the locking mechanism is fully engaged after installing the fairing.
3. The improper installation of this kit and related components could result in serious injury or death.



CAUTION

1. Memphis Shades fairings are made from Lucite® acrylic, and will last for years with proper care. Clean your fairing with plenty of soapy water (mild dishwashing liquid is best) and a soft cotton cloth. Use your bare hands to feel and dislodge bugs, or cover with a wet, soapy towel and let it soak. Don't use paper towels and scrape with anything. Small scratches can be removed with NOVUS #2.
2. Never use any glass cleaning products, petroleum based chemicals, or cleaning agents with ammonia, bleach or any other harsh chemicals. This includes (but not limited to) RainX, brake fluid, acetone, paint thinner, benzene and gasoline. "If it hurts your nose, it will hurt the plastic."
3. Glass cleansing agents will cause severe damage to your fairing, and will void your warranty. For care and cleaning we recommend using **Memphis Shades All Kleer**, a unique cleaner/polish, bug remover and rain repellent that leaves a super slick surface that makes the next cleaning even easier.
4. At certain times of the day the Sunlight can reflect off the curvature of a fairing and cause extreme heat build-up on motorcycle instruments and instrument panel. Take care when parking. Park facing the sun, place an opaque object over the instruments or adjust the fairing to avoid reflections.

1. Kit Contents



Ref	Code	Description	Qty
①	I1982	Mounting Instructions	1
②	M1554EB	Clutch side mounting plate, black	1
③	M1555EB	Throttle side mounting kit, black	1
④	S1167EB	Medium detachable clamp assembly, black	4
⑤	M310	Short arm allen wrench, 3/16	1

2. Mounting Instructions

Additional tools required: 7/16" or 11mm wrench for plate installation.

1. **Cover gas tank and front fender with a towel to avoid damage during installation.**

2. Install the Mounting plate assemblies ② and ③ onto the fairing, using the bolts that are pre-assembled on the Mounting plate assemblies.

The Santoprene grommets should be inserted through the holes in the fairing so that the flat round part of the grommet lies flat on each side of the plastic. Tabs point in towards the headlight. (Fig. 1)

3. Loosely install the four Fork Clamps ④ on the forks, approximately 2" apart, approximately 1/2" from the upper triple tree (Fig 2)

4 Start with Fork Clamp Bushing adjusted to rear of slot. then adjust as needed and check for clearance.

5. Slip the fairing mounting plates and fairing onto the fork clamps, and secure the left and right side locking mechanism (Fig 3)

6. Adjust the height, angle and alignment of the fairing and tighten **ALL** bolts.

Note: This is a detachable fairing, ALWAYS make sure the Locking Mechanism is Fully Engaged after installing the fairing!

Memphis Shades warrants all product components, metal and plastic, against defects in materials and workmanship for 24 months.

For Parts and Warranty Help, Contact:

Memphis Shades, Inc.

P.O. Box 429

Rossville, TN 38066

(901) 853 0293

Visit us on the web at www.memphisshades.com or you can also reach us by email:

customerservice@memphisshades.com

2. Mounting Instructions, continued

Fig. 1

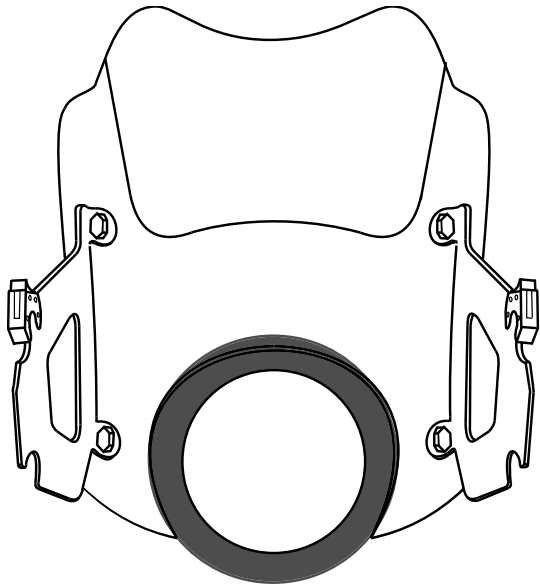
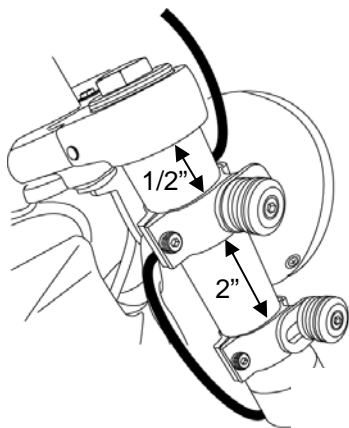
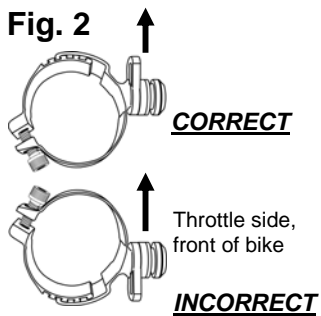


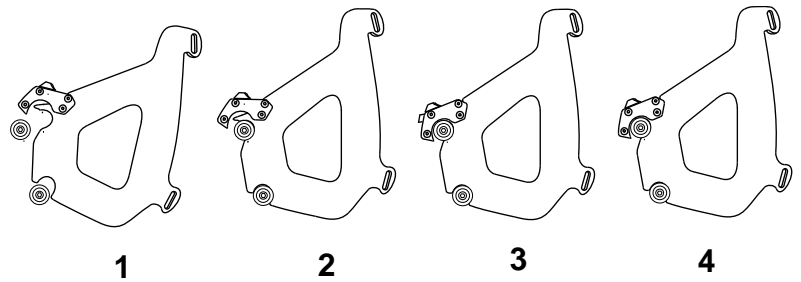
Fig. 2



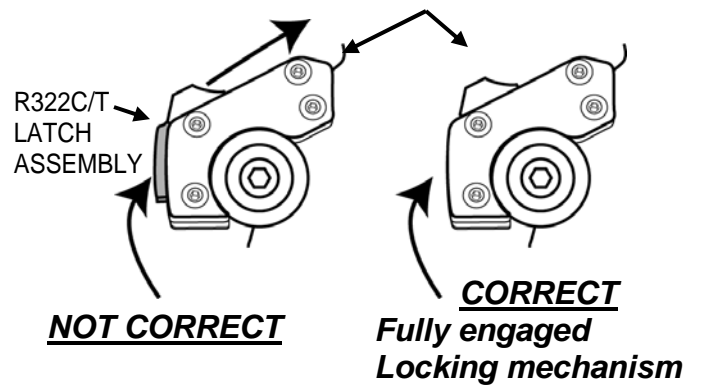
WARNING:

"Mounting clamps backwards will cause damage to your tank."

Fig. 3



1. Align the plates with the bushings.
2. Push lower slot into lower bushing.
3. Rotate the plates forward and push the upper slot into the upper bushing.
4. Lock the trigger in place.



R322C/T
LATCH
ASSEMBLY

NOT CORRECT

CORRECT
**Fully engaged
Locking mechanism**