



Part No. 2320-0100

MEB1975

REVISION 1

HD Softail, without light bar  
Bullet FX Fairing  
Mounting kit, Black

Before assembly, read Warnings inside



## WARNING

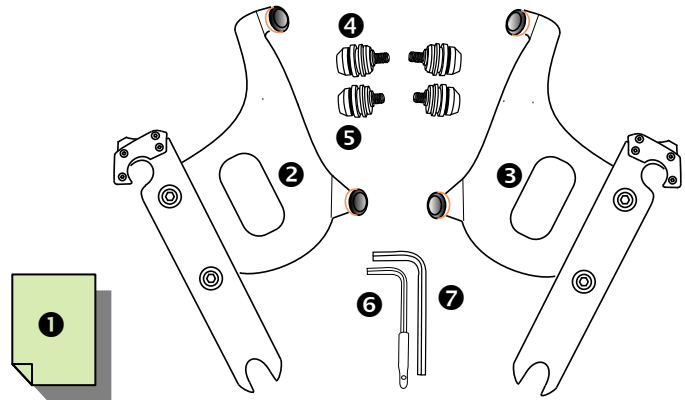
1. During installation, make sure that the fairing and hardware do not interfere with any cables or wiring when the forks are turned all the way in either direction. Also make sure , through the full range of adjustment, that the fairing and hardware do not hit the gas tank.
2. This is a detachable fairing, ALWAYS make sure the locking mechanism is fully engaged after installing the fairing.
3. The improper installation of this kit and related components could result in serious injury or death.



## CAUTION

1. Memphis Shades fairings are made from Lucite® acrylic, and will last for years with proper care. Clean your fairing with plenty of soapy water (mild dishwashing liquid is best) and a soft cotton cloth. Use your bare hands to feel and dislodge bugs, or cover with a wet, soapy towel and let it soak. Don't use paper towels and scrape with anything. Small scratches can be removed with NOVUS #2.
2. Never use any glass cleaning products, petroleum based chemicals, or cleaning agents with ammonia, bleach or any other harsh chemicals. This includes (but not limited to) RainX, brake fluid, acetone, paint thinner, benzene and gasoline. "If it hurts your nose, it will hurt the plastic."
3. Glass cleansing agents will cause severe damage to your fairing, and will void your warranty.
4. At certain times of the day the Sunlight can reflect off the curvature of a fairing and cause extreme heat build-up on motorcycle instruments and instrument panel. Take care when parking. Park facing the sun, place an opaque object over the instruments or adjust the fairing to avoid reflections.

## 1. Kit Contents



Ref	Code	Description	Qty
①	I1975B	Mounting Instructions	1
②	M1536EB	Clutch side mounting plate assembly	1
③	M1537EB	Throttle side mounting plate assembly	1
④	K26EB	Upper bushing assembly	2
⑤	K27EB	Lower bushing assembly	2
⑥	M310	3/16" Short arm allen wrench	1
⑦	R340	1/4" Short arm allen wrench	1

## 2. Mounting Instructions

Additional tools required that are not included in this kit. 7/16" or 11mm wrench for plate installation.

1. Cover gas tank and front fender with towels to avoid damage during installation.
  2. Locate the upper and lower mounting bolts located on the sides of the front fork covers and remove them along with the Aluminum trim piece. Set the trim piece in a safe place. Note: These bolts may be very tight. Take care not to strip the head of the bolts, you may also want to screw the original bolts in and out a few times to clean the threads."
  3. Re-install the Aluminum trim piece using the new Upper Bushing Assembly ④ and Lower Bushing Assembly ⑤ provided in this kit. .
- Repeat these steps on the other side. (Fig 1)

Continued overleaf.....

Memphis Shades warrants all product components, metal and plastic, against defects in materials and workmanship for 24 months.

### For Parts and Warranty Help, Contact:

Memphis Shades, Inc.  
P.O. Box 429  
Rossville, TN 38066  
(901) 853 0293

Visit us on the web at [www.memphisshades.com](http://www.memphisshades.com) or you can also reach us by email:

HD Softail, without light bar  
 Bullet FX Fairing  
 Mounting kit, Black

## 2. Mounting Instructions, continued

4. Install the two Mounting plates ② and ③ onto the fairing, using the bolts that are pre-assembled on the mounting plates. The Santoprene Grommets should be inserted through the holes in the fairing so that the flat round part of the Grommet lies flat on each side of the fairing. Tabs point in towards the headlight. (Fig 2)
5. Slip the fairing mounting plates and fairing onto the Upper and Lower bushing assemblies, (Fig 3 Fig 4) and secure the left and right side locking mechanism.
6. Adjust the height, angle and alignment of the fairing and tighten ALL bolts.

Note: This is a detachable fairing, ALWAYS make sure the Locking Mechanism is Fully Engaged after installing the fairing!

Fig. 1

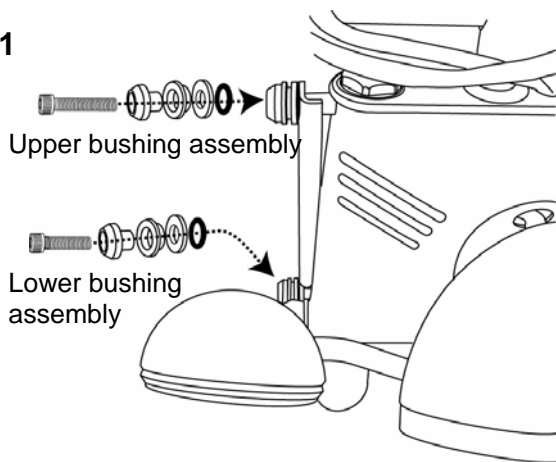


Fig. 2

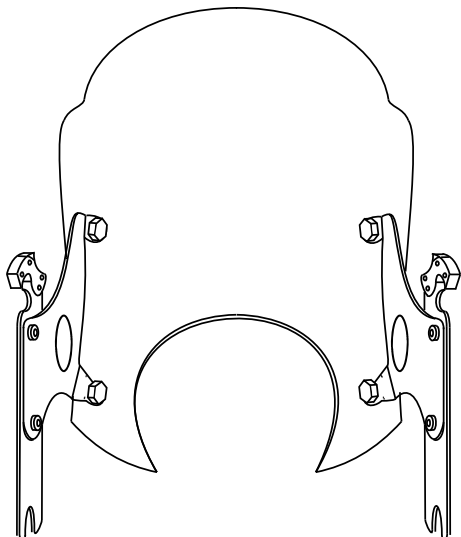
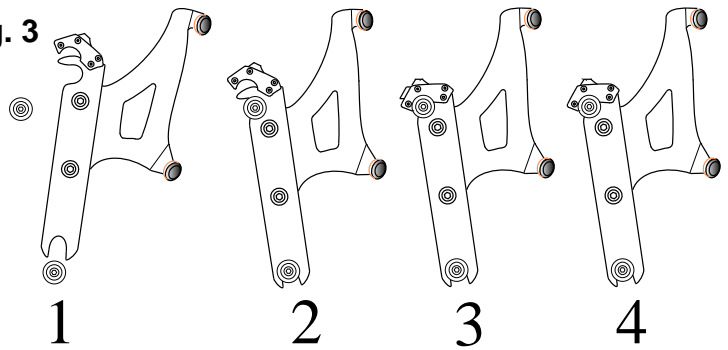
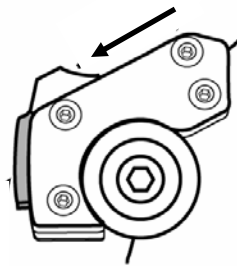


Fig. 3

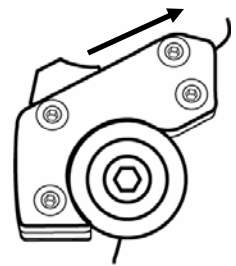


1. Place lower slot into lower bushing.
2. Rotate top slot into place.
3. Open trigger and rotate over bushing
4. Release trigger and make ensure it closes over the bushing.

Fig. 4



Push the trigger forward to open



Release the trigger and push backward to close