



Part No. 2321-0145

MEM0922 091509

Vent Assembly

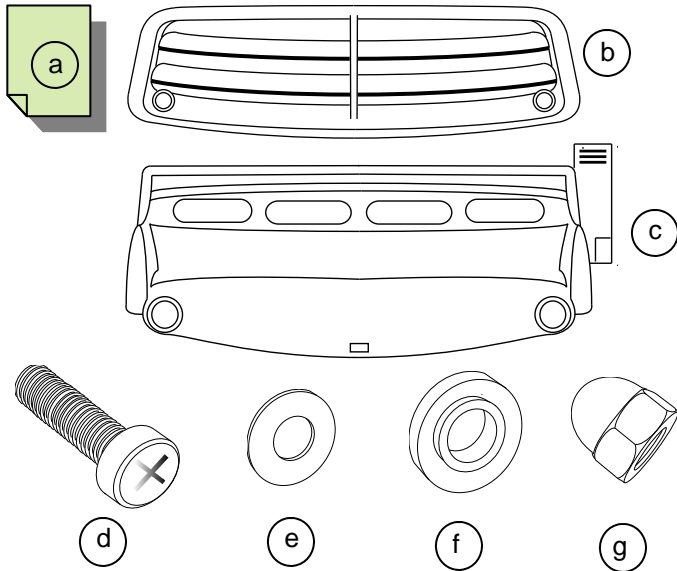
Fits Memphis Shades, vented, Gold Wing Replacement Plastic.

4 position lever controls airflow.

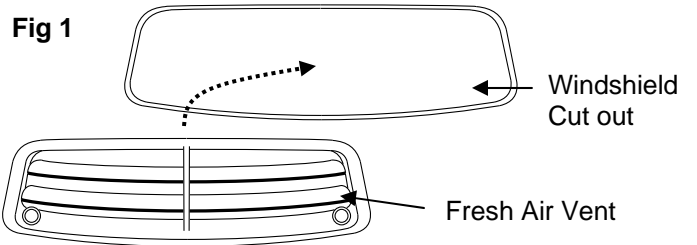
2. Mounting Instructions

1. Additional tools required, not included in this kit:
Phillips head screw driver, 11mm or 7/16" wrench.
2. Fit the windshield to the motorcycle before fitting the vent assembly into the windshield. See mounting instructions that came with your Memphis Shades Gold Wing Replacement Plastic.
3. Align the Fresh Air Vent into the cut out in the front of the windshield and snap into place. Fig 1.

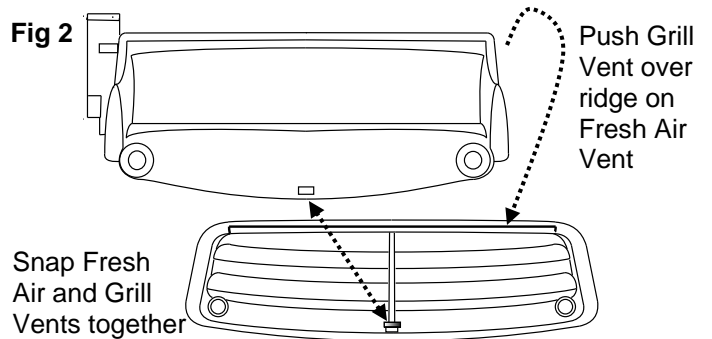
1. Kit Contents



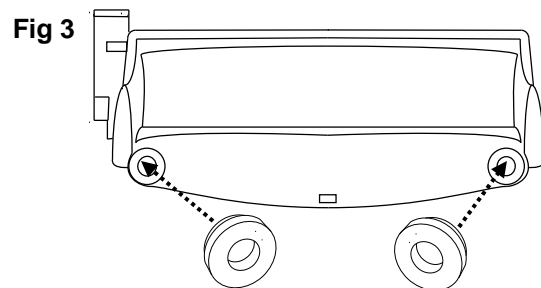
Re	Part #	Description	Qty
(a)	I0922	Mounting Instructions	1
(b)	M1308	Fresh Air Vent	1
(c)	M1309	Grill Vent	1
(d)	M1322	Screw	2
(e)	M1320	Washer	4
(f)	M1321	Shoulder Spacer	2
(g)	M945	Acorn Nut	2



4. From the back of the windshield, align the Grill Vent over the ridge in the Fresh Air Vent. Push down on the Grill Vent to lock the two parts together, then snap into place with the retaining clip. Fig 2



5. From the back of the windshield, insert a Shoulder Spacer into each recessed hole in the Grill Vent. The shoulder faces inward. Fig 3



Memphis Shades warrants all product components, metal and plastic, against defects in materials and workmanship for 24 months.

For Parts and Warranty Help, Contact:

Memphis Shades, Inc.
P.O. Box 429
Rossville, TN 38066
(901) 853 0293

Visit us on the web at www.memphisshades.com or you can also reach us by email: customerservice@memphisshades.com



The Fusion of Style & Function



Part No. 2321-0145

M0922 091509

Vent Assembly

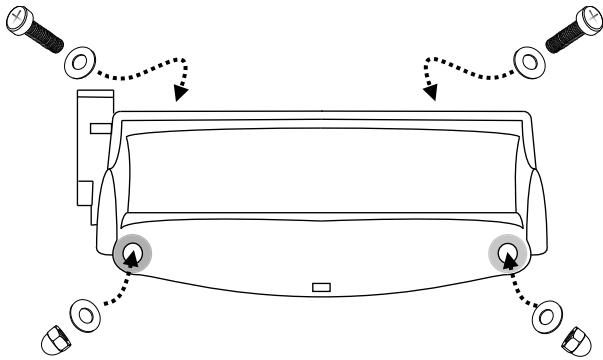
Fits Memphis Shades, vented, Gold Wing Replacement Plastic.

4 position lever controls air flow

2. Mounting Instructions (cont'd)

6. Secure the two halves of the vent together using the bolts, washers and acorn nuts provided. Fig 4

Fig 4



3. Operating Instructions

1. Once fitted into the windshield, rock the lever forward and backward through 4 set points to control the volume of air passing through the vent.

