



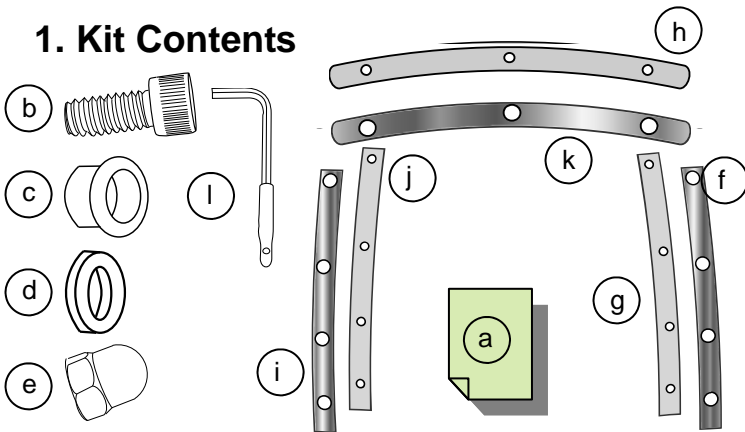
Part No. 2321-0095

M0914 012709

Polished Stainless Steel Strap Kit, Slims.

Replaces polished stainless steel straps originally supplied with Memphis Slims Windshields.

1. Kit Contents



Ref	Part #	Description	Qty
(a)	I0914	Mounting Instructions	1
(b)	M306	5/8" SS Socket head cap screw	9
(c)	M500N	Large Socket spacer	9
(d)	M305	Plastic spacer washer	11
(e)	M308	Acorn nut	9
(f)	S1019	Right front strap (RF)	1
(g)	S1025	Right rear strap (RR)	1
(h)	S1023	3 hole rear strap (3R)	1
(i)	S1018	Left front strap (LF)	1
(j)	S1024	Left rear strap (LR)	1
(k)	S1021	3 hole front strap (3F)	1
(l)	M310	3/16 short arm allen wrench	1

Memphis Shades warrants all product components, metal and plastic, against defects in materials and workmanship for 24 months.

For Parts and Warranty Help, Contact:

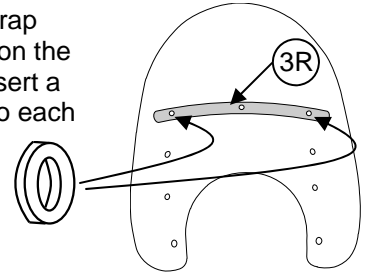
Memphis Shades, Inc.
P.O. Box 429
Rossville, TN 38066
(901) 853 0293

Visit us on the web at www.memphisshades.com or you can also reach us by email: customerservice@memphisshades.com

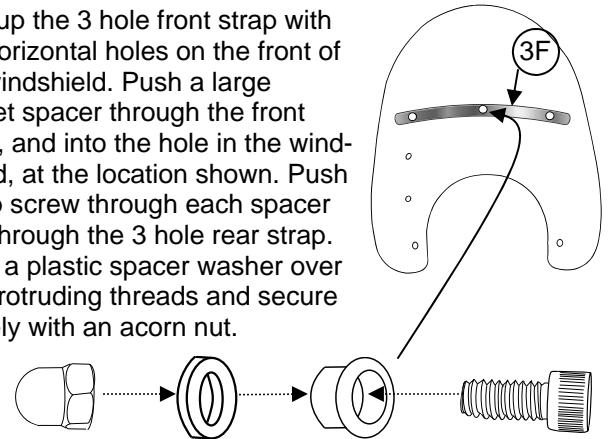
2. Mounting Instructions

1. Additional tools required, not included in this kit: 7/16" or 11mm wrench.

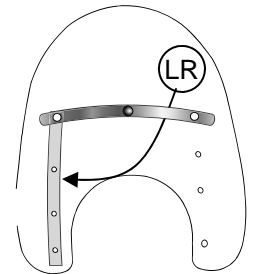
2. Line up the 3 hole rear strap with the horizontal holes on the rear of the windshield. Insert a plastic spacer washer into each hole shown.



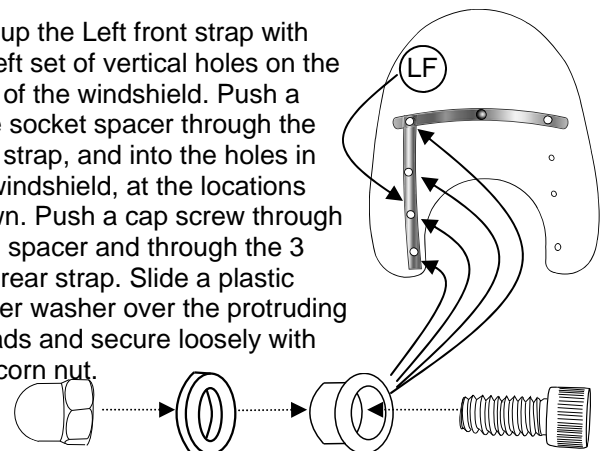
3. Line up the 3 hole front strap with the horizontal holes on the front of the windshield. Push a large socket spacer through the front strap, and into the hole in the windshield, at the location shown. Push a cap screw through each spacer and through the 3 hole rear strap. Slide a plastic spacer washer over the protruding threads and secure loosely with an acorn nut.



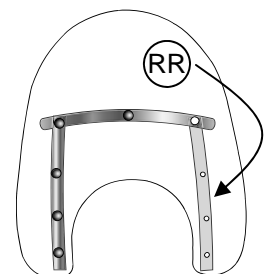
4. Line up the Left rear strap with the left set of vertical holes on the rear of the windshield. The step on the left rear strap sits over the 3 hole rear strap.



5. Line up the Left front strap with the left set of vertical holes on the front of the windshield. Push a large socket spacer through the front strap, and into the holes in the windshield, at the locations shown. Push a cap screw through each spacer and through the 3 hole rear strap. Slide a plastic spacer washer over the protruding threads and secure loosely with an acorn nut.



6. Line up the Right rear strap with the right set of vertical holes on the rear of the windshield. The step on the right rear strap sits over the 3 hole rear strap.





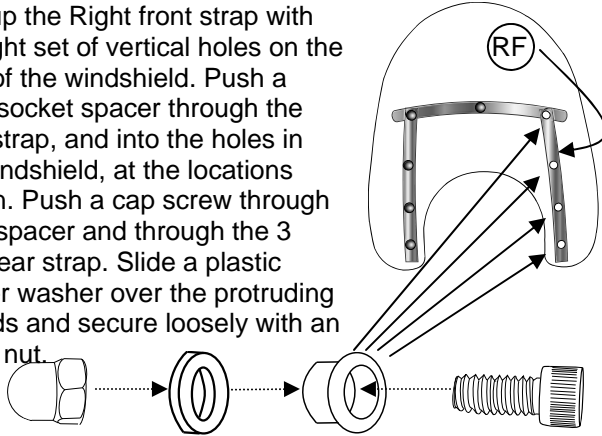
Part No. 2321-0095

M0914 012709

Polished Stainless Steel Strap Kit, Slims.

2. Mounting Instructions (cont'd)

7. Line up the Right front strap with the right set of vertical holes on the front of the windshield. Push a large socket spacer through the front strap, and into the holes in the windshield, at the locations shown. Push a cap screw through each spacer and through the 3 hole rear strap. Slide a plastic spacer washer over the protruding threads and secure loosely with an acorn nut.



8. Make sure all of the straps are correctly lined up, then tighten down all of the bolts using a wrench (not supplied) and the 3/16" short arm allen wrench provided.



The Fusion of Style & Function